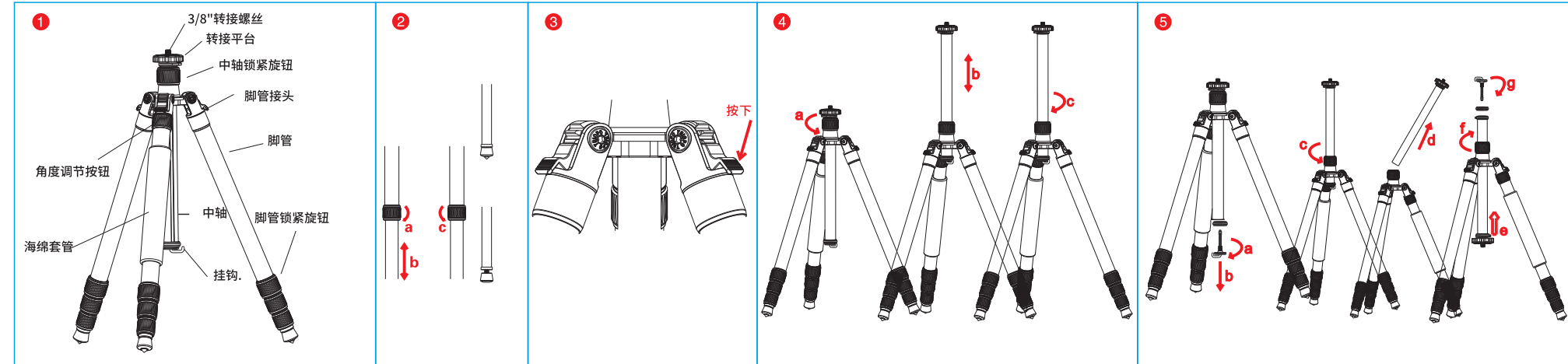


三脚架使用说明书



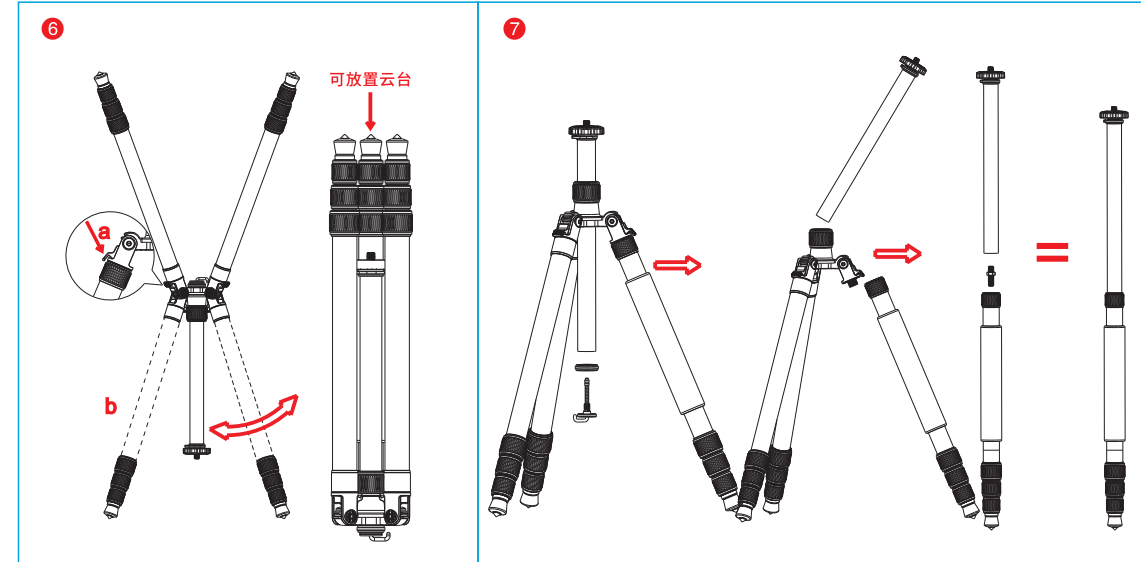
①认识三脚架
按图示方向a,同时或分别将脚管锁紧旋钮顺时针转动1/4或1/2圈,然后将脚管拉出到您所需长度,然后按图示方向c,分别转动各个锁紧旋钮即可。

②脚管的伸延
按图示方向a,同时或分别将脚管锁紧旋钮顺时针转动1/4或1/2圈,然后将脚管拉出到您所需长度,然后按图示方向c,分别转动各个锁紧旋钮即可。

③角度的调节
该脚架的每支脚均可调节三种支撑角度,以适应不同的拍摄要求,如图所示方向a,压下角度控制按钮不放,同时转动脚管至相应的角度,放开角度控制按钮后,再将支撑脚按图示方向b轻轻拉紧即可。

④中轴升降调节
按图示方向a旋转,同时按图示方向b来拉伸中轴, c是锁紧方向。

⑤中轴的倒转安装



⑥脚架的反折叠
将所有的脚管全部缩回并锁紧后, 如图所示方向a按下角度调节按钮不放, 同时按图示方向b, 分别扳动三支脚管至反侧即可实现反折叠, 使脚架达到最小尺寸, 方便携带。

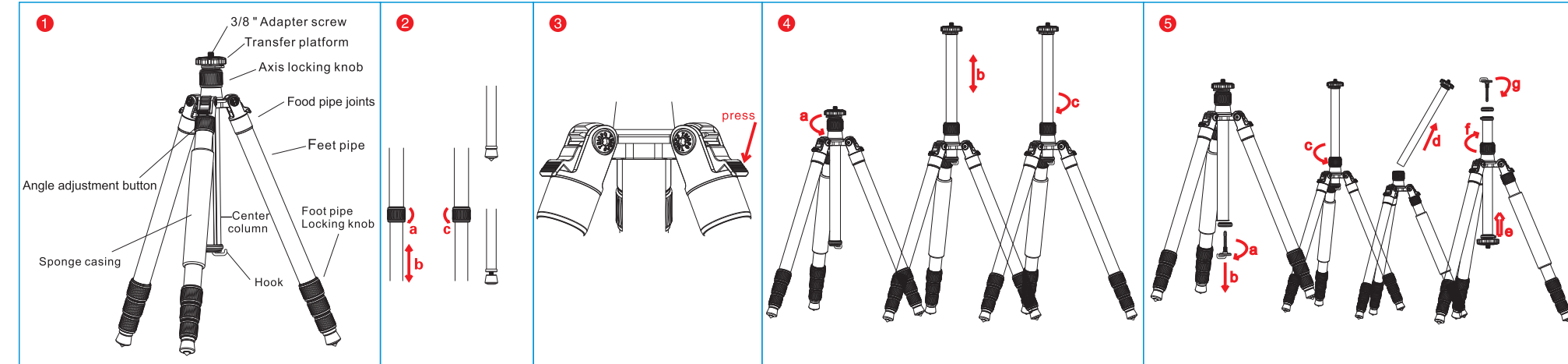
⑦可拆独脚架的使用方法
三脚架中有一支脚刻有开锁标识, 该支脚可旋出后与中心管连接起来当独脚架使用, 如图所示。

- 注意事项:**
1. 不要超过最大之指定负重(请参考个别产品说明)。
 2. 当使用产品时, 请尽量锁紧中轴并在安全状态下操作。
 3. 切勿在温度低于零下40摄氏度及高于100摄氏度下使用。
 4. 当在潮湿/沙地/满布尘埃的环境下使用后, 谨记将产品弄干及清洁, 不建议于海水中使用。
 5. 切勿将产品长时间放在太阳下暴晒及避免高温环境, 例如长时间放在车厢内或玻璃后。
 6. 在公共地方用本产品时请勿离人, 在危险的地方使用时请慎重操作。
 7. 使用温和清洁剂及柔软毛巾清洁, 将尘埃及沙粒从所有锁制及滑动部分清除。
 8. 除非有需要, 此设备无需定期添加润滑油, 如确实需要时, 请使用标准润滑油或油蜡。
 9. 为自身安全着想, 切勿将产品接触任何电源。
 10. 禁止脚架搭载设备(相机)一起携带移动。



公司保留产品升级和由于产品升级而变更各种参数的权力, 恕不另行通知, 印刷品上如有印刷错误, 望广大用户谅解。

TRIPOD USE MANUAL

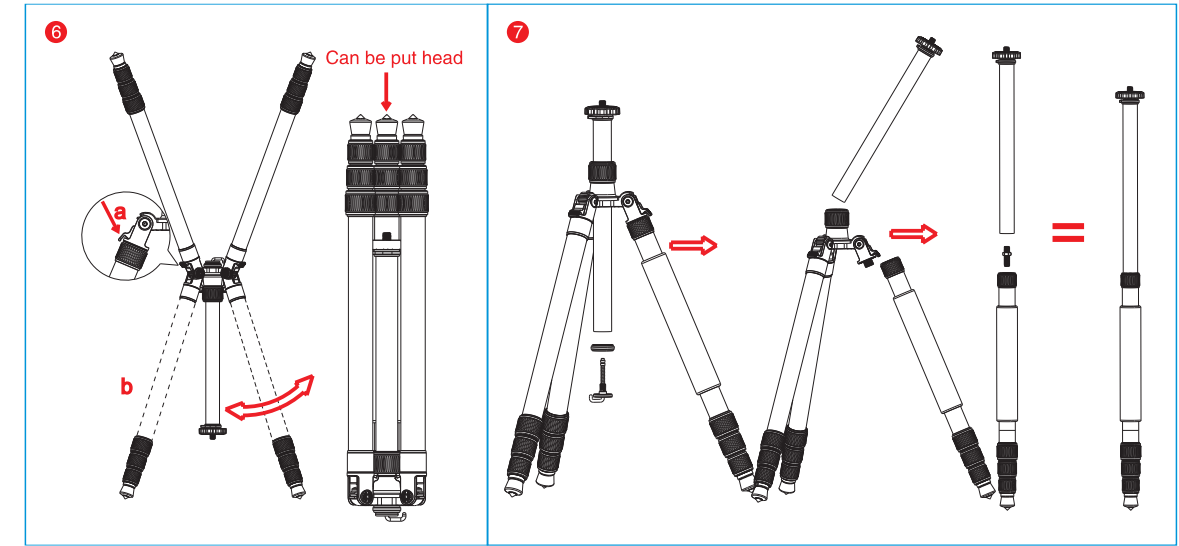


①Know tripod
②Foot pipe extension
A direction shown the locking knob clockwise rotate 1/4 or 1/2 circle respectively and then pull the legs out to your desired length. According to icon in the direction of C, rotate the locking knob lock bear the corresponding leg respectively.

③Angle adjustment
The tripod each feet can be adjust three support to adapt different shooting requirements. As shown in the direction A, Press the angle to control button without stop. At the same time turning the legs to the corresponding angle. When release angle control button.

④Center column adjustment
According to A direction rotate. While tensile center column as shown. C is the locking direction.

⑤Center column inverted installation



⑥Tripod anti- folded
After Making all legs retracted and locked, as shown in the direction of A. Press angle adjustment button and hold it. While in the direction shown B, pulled three foot tube respectively to the anti side to make anti- folded, make tripod easy to carry at min size.

⑦Use of removable monopod
One leg of tripod have a pin engraved with the identity of the open unlock, the feet can be screwed out and connect with center tube working as monopod as shown.

- Note:**
1. Do not exceed the maximum specified load (refer to individual product descriptions).
 2. When using the product, please try to lock the central column and operating in a safe condition.
 3. Do not use at temperatures below minus 40 degrees Celsius or higher than 100 degrees Celsius.
 4. When used in wet / sandy / dusty environment, keep in mind the product dry and clean is not recommended for use in seawater.
 5. Never long on the sun exposure and avoid high-temperature environments, such as long on the inside or glass.
 6. Do not away from the people when use in the public areas. Please operate carefully in the dangerous places.
 7. Use a mild detergent and a soft towel to clean the dust and sand cleared from all the lock system and the sliding part.
 8. Unless there is a need, this device does not need lubrication on a regular basis, if they really need to, please use the standard oil or wax.
 9. For the sake of their own safety, do not contact with any power.
 10. Prohibit tripod equipped with a device (camera) together with mobile.



The Company reserves the product upgrades and power due to product upgrades and changes to various parameters without notice. If the printing errors or omissions or errors in translation, hope the majority of user understanding.