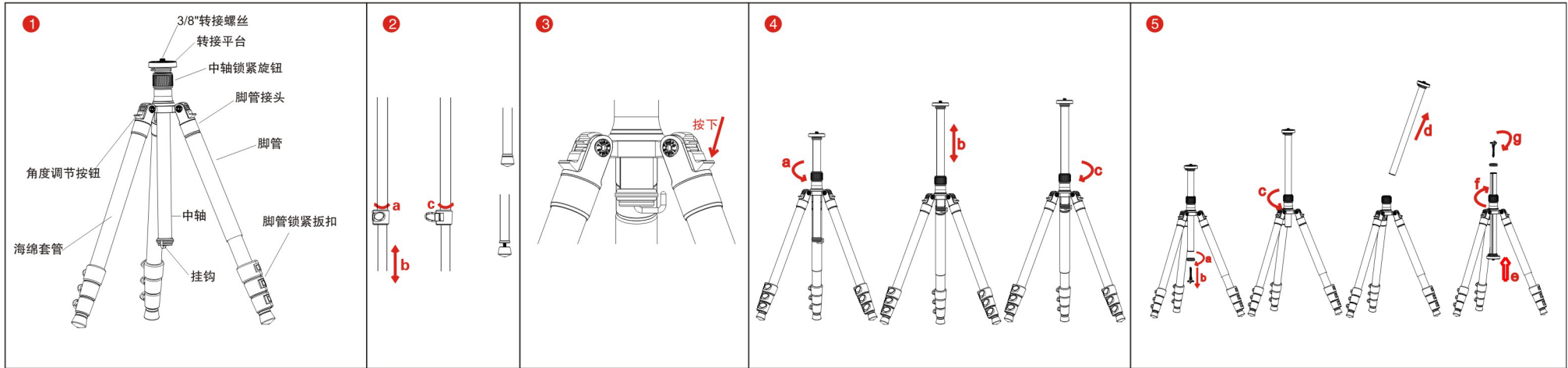


# 三脚架使用说明书



① 认识三脚架

② 脚管的伸延

按图示方向a, 同时或分别  
将锁紧扳扣扳开, 然后将  
脚管拉到您所需长度,  
然后按图示方向c, 将锁紧  
扳扣扣回进行锁紧。

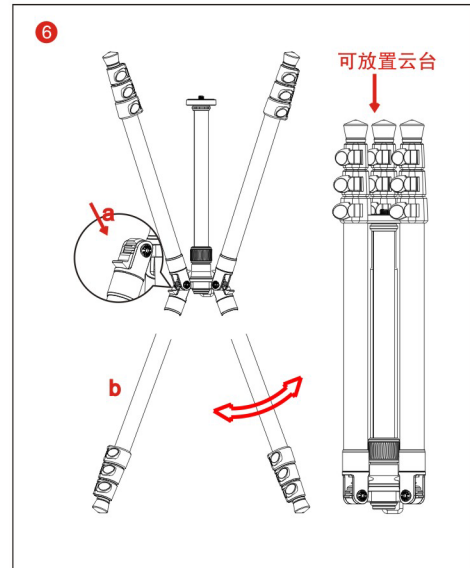
③ 角度的调节

该脚架的每支脚均可调节三种支撑角  
度, 以适应不同的拍摄要求, 如图所示  
方向a. 压下角度控制按钮不放, 同时  
转动脚管至相应的角度, 放开角度控制  
按钮后, 再将支撑脚按图示方向b轻轻  
拉紧即可。

④ 中轴升降调节

按图示方向a旋转, 同时按图示方向b来拉伸  
中轴, c是锁紧方向。

⑤ 中轴的倒转安装



⑥ 脚架的反折叠

将所有的脚管全部缩回并锁紧后, 如图所示方 a 按下角度调节  
按钮不放, 同时按图示方向b, 分别扳动三支脚管至反侧即可实  
现反折叠, 使脚架达到最小尺寸, 方便携带。

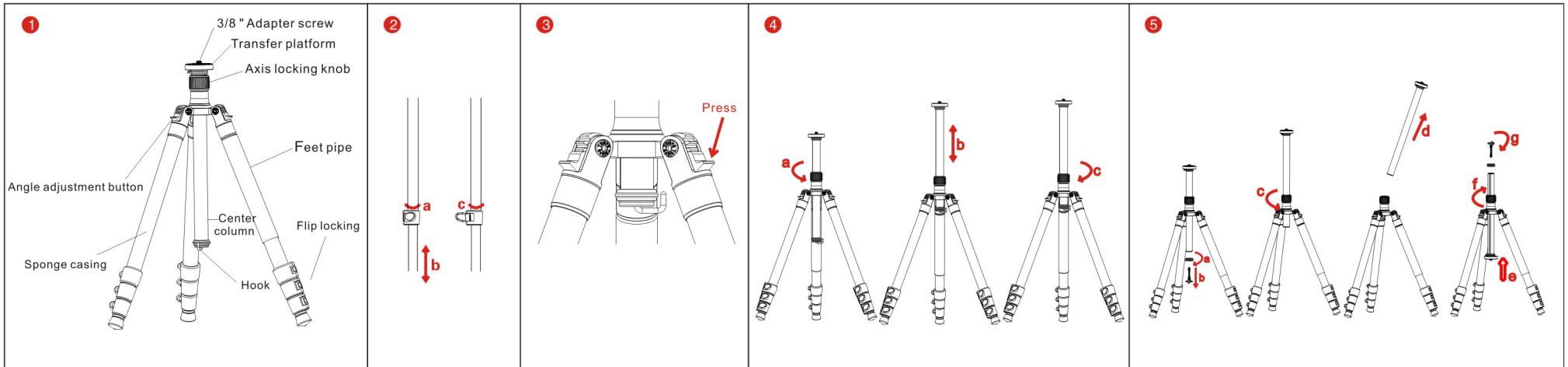
## 注意事项:

1. 不要超过最大之指定负重 (请参考个别产品说明)。
2. 当使用产品时, 请尽量锁紧中轴并在安全状态下操作
3. 切勿在温度低于零下40摄氏度及高于100摄氏度下使用。
4. 当在潮湿/沙地/满布尘埃的环境下使用后, 谨记将产品弄干及清洁, 不建议于海水中使用。
5. 切勿将产品长时间放在太阳下暴晒及避免高温环境, 例如长时间放在车厢内或玻璃后。
6. 在公共地方用本产品时请勿离人, 在危险的地方使用时请慎重操作。
7. 使用温和清洁剂及柔软毛巾清洁, 将尘埃及沙粒从所有锁制及滑动部分清除。
8. 除非有需要, 此设备无需定期添加润滑油, 如确实需要时, 请使用标准润滑油或油蜡。
9. 为自身安全着想, 切勿将产品接触任何电源。
10. 禁止脚架搭载设备 (相机) 一起携带移动。



公司保留产品升级和由于产品升级而变更各种参数的权力, 恕不另行通知,  
印刷品上如有印刷错漏或翻译上的错误, 望广大用户谅解。

# TRIPOD USE MANUAL



## ① Know tripod

## ② Feet pipe extension

A direction shown the locking knob clockwise rotate 1/4 or 1/2 circle respectively and then pull the legs out to your desired length . According to icon in the direction of C , rotate the locking knob lock bear the corresponding leg respectively .

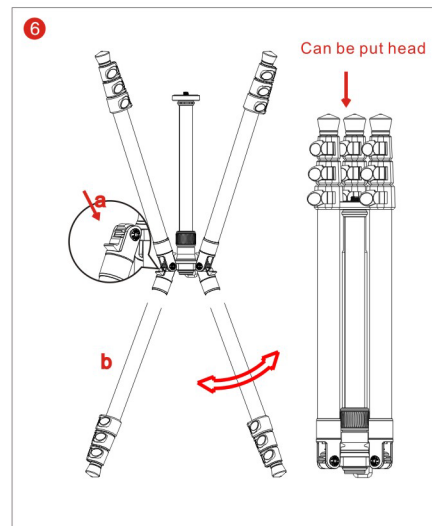
## ③ Angle adjustment

The tripod each feet can be adjust three support to adapt different shooting requirements . As shown in the direction A , Press the angle to control button without stop . At the same time turing the legs to the corresponding angle . When release angle control button . Gently tighten the supporting legs B as show in the direction shown .

## ④ Center column adjustment .

According to A direction rotate . While tensile center column as shown . C is the locking direction .

## ⑤ Center column inverted installation



## ⑥ Tripod anti- folded

After Making all legs retracted and locked , as shown in the direction of A . Press angle adjustment button and hold it . While in the direction shown B , pulled three foot tube respectively to the anti side to make anti- folded , make tripod easy to carry at min size .

## Note:

1. Do not exceed the maximum specified load (refer to individual product descriptions) .
2. When using the product , please try to lock the central column and operating in a safe condition .
3. Do not use at temperatures below minus 40 degrees Celsius or higher than 100 degrees Celsius .
4. When used in wet / sandy / dusty environment , keep in mind the product dry and clean is not recommended for use in seawater .
5. Never long on the sun exposure and avoid high-temperature environments , such as long on the inside or glass .



The Company reserves the product upgrades and power due to product upgrades and changes to various parameters without notice . If the printing errors or omissions or errors in translation , hope the majority of user understanding

6. Do not away from the people when use in the public areas ..Please operate carefully in the dangerous places .
7. Use a mild detergent and a soft towel to clean the dust and sand cleared from all the lock system and the sliding part .
8. Unless there is a need , this device does not need lubrication on a regular basis , if they really need to , please use the standard oil or wax .
9. For the sake of their own safety , do not contact with any power .
10. Prohibit tripod equipped with a device (camera) together with mobile